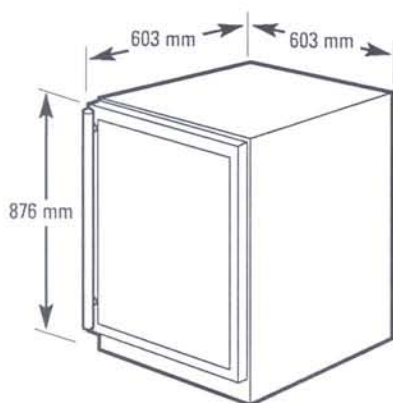


Built-In Dimensions

Beverage Center

Installation dimensions

The beverage center can be a free-standing model or can be built in using the cut-out dimensions below.



NOTE:

Handle and handle standoff depth is 45 mm

When building in the beverage center, be sure to allow for a full door swing so you have full access to the pull-out full extension drawers.

See the Installation Instructions for complete directions.



Cut-out dimensions:

Height: 875–890 mm

Width: 603 mm minimum

Depth: 610 mm minimum

Product clearances

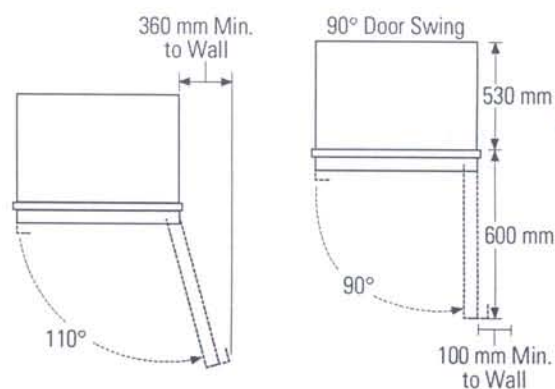
The beverage center is factory set for a 110° door swing.

When installed in a corner:

- Allow 100 mm minimum clearance on the hinge side for the 90° door swing and to allow racks to slide out.
- Allow 360 mm minimum clearance on the hinge side for a full 110° door swing.
- The door swing is reversible on all models. If desired, change the door swing before installation.

Choose the location:

- These products may be closed in on the top and three sides as long as the front is unobstructed for air circulation and proper access to the door.
- Do not install these products where the temperature will go below 55°F (13°C) or above 90°F (32°C).
- Do not install where it will be subject to direct sunlight, heat or moisture.



Black or Stainless Steel Toekick Options

These products are shipped with a black toekick installed. An optional stainless steel toekick is also supplied with each product. For shipping purposes, the stainless steel toekick is secured to the back of the unit.